

### Dimensions

	METRICS	IMPERIAL
Reach	310cm	122in
Max height	440cm	173in
Min height	-180cm	-71in
Floor embase	200x120cm (200x80cm without wheels)	78x47in (78x31in without wheels)

### Power supply

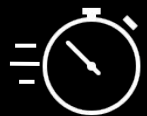
3 phased outlet 380V  
(Marshal or P17)  
(Generator set in option)

### Weight

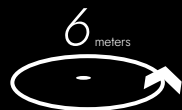
	METRICS	IMPERIAL
Payload	20kg max	40Lbs max
Robot (transport)	1103kg	2432Lbs
Robot (shooting)	1137kg	2507Lbs

### Timing

Installation ready to shoot	20min
Simple move creation	2min
Change robot position	5min



FAST SET-UP



TOTAL SPAN

### Capacities

- Highspeed / Timelapse
- Repeatabe
- +/- 0.01 mm precision
- Scale/time changing
- DMX triggering
- Indoor - outdoor
- Audio/video sync
- Unlimited moves
- Import/export of 3D cameras
- 3D previs
- Robotized follow focus
- Speed: 3m/s



### Dimensions

	METRICS	IMPERIAL
Reach	200cm	78,7in
Max height	320cm	126in
Min height	-85cm	-33,5in
Base size (square)	152cm <sup>2</sup>	59,9sqin
Base size : travel position	95cm <sup>2</sup> (standard)	37,4sqin
	78cm <sup>2</sup> (compact)	30,7sqin

### Power supply

3 phased outlet 380V  
(Marshal or P17)  
(Generator set in option)

### Weight

	METRICS	IMPERIAL
Payload	20kg	40lbs
Robot (transport)	566kg	1248lbs
Robot (shooting)	662kg	1460lbs

### Timing

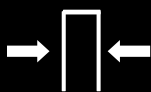
Installation ready to shoot	20min
Simple move creation	2min
Change robot position	5min



FAST SET-UP



TOTAL SPAN



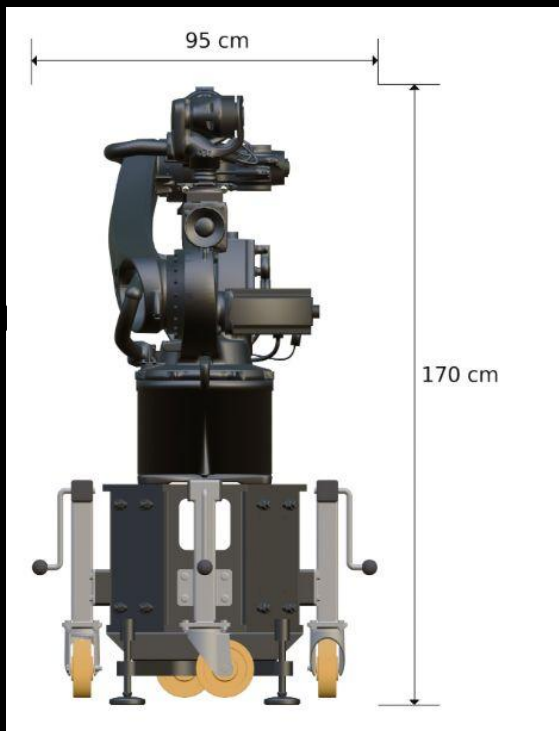
COMPACT

### Capacities

- Highspeed / Timelapse
- Repeatabe
- +/- 0.01 mm precision
- Scale/time changing
- DMX triggering
- Indoor - outdoor
- Audio/video sync
- Unlimited moves
- Import/export of 3D cameras
- 3D previs
- Robotized follow focus
- Speed: 3m/s



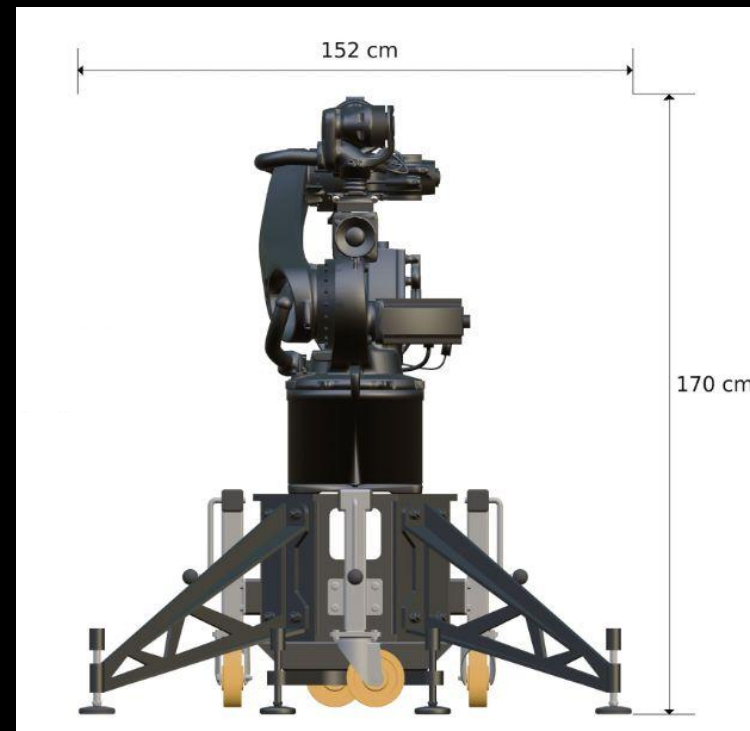
### Compact design



Standard access



Compact access



Shooting position

### Dimensions

	METRICS	IMPERIAL
Reach	140 cm	55.2 inches
Max height	255 cm	100.4 inches
Min height	10 cm	2 inches
Floor embase	65 x 65 cm	26 x 26 inches

### Power supply

Standard outlet 220V

### Weight

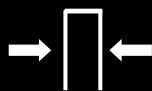
	METRICS	IMPERIAL
Carried weight	10kg max	20Lbs max
Robot (transport & shooting)	496kg	1094lbs

### Timing

Installation ready to shoot	20min
Simple move creation	2min
Change robot position	5min



STANDARD OUTLET



COMPACT

### Capacities

- Highspeed / Timelapse
- Repeatabe
- +/- 0.01 mm precision
- Scale/time changing
- DMX triggering
- Indoor - outdoor
- Audio/video sync
- Unlimited moves
- Import/export of 3D cameras
- 3D previs
- Robotized follow focus
- Speed: 3m/s





### Dimensions

	METRICS	IMPERIAL
Reach	160 cm	63 inches
Max height	255 cm	100.5 inches
Min height	0 cm	0 inches
Floor embase	115 x 115 cm	45 x 45 inches

### Power supply

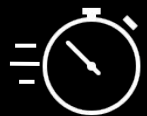
3 phased outlet 380V  
(Marshal or P17)  
(Generator set in option)

### Weight

	METRICS	IMPERIAL
Carried weight	20kg max	40lbs max
Robot	475kg	1047lbs

### Timing

Installation ready to shoot	20min
Simple move creation	2min
Change robot position	5min



FAST SET-UP



TOTAL SPAN

### Capacities

- Highspeed / Timelapse
- Repeatabe
- +/- 0.01 mm precision
- Scale/time changing
- DMX triggering
- Indoor - outdoor
- Audio/video sync
- Unlimited moves
- Import/export of 3D cameras
- 3D previs
- Robotized follow focus
- Speed: 3m/s

