

Dimensions

	METRICS	IMPERIAL
Reach	160 cm	63 inches
Max height	255 cm	100.5 inches
Min height	0 cm	0 inches
Floor embase	115 x 115 cm	45 x 45 inches

Capacities

- Highspeed / Timelapse
- Repeatabile
- +/- 0.01 mm precision
- Scale/time changing
- DMX triggering
- Indoor - outdoor
- Audio/video sync
- Unlimited moves
- Import/Export of 3D cameras
- Previs 3D
- Robotized follow Focus
- Speed : 3 m/s

Power supply

3 phased outlet 380V
 (Marshal or P17)
 (Generator set in option)

Weight

	METRICS	IMPERIAL
Carried weight	20 Kg max	40 Lbs max
Robot	475 Kg	1047 Lbs
Ballast (side setup)	180 Kg	390 Lbs

Timing

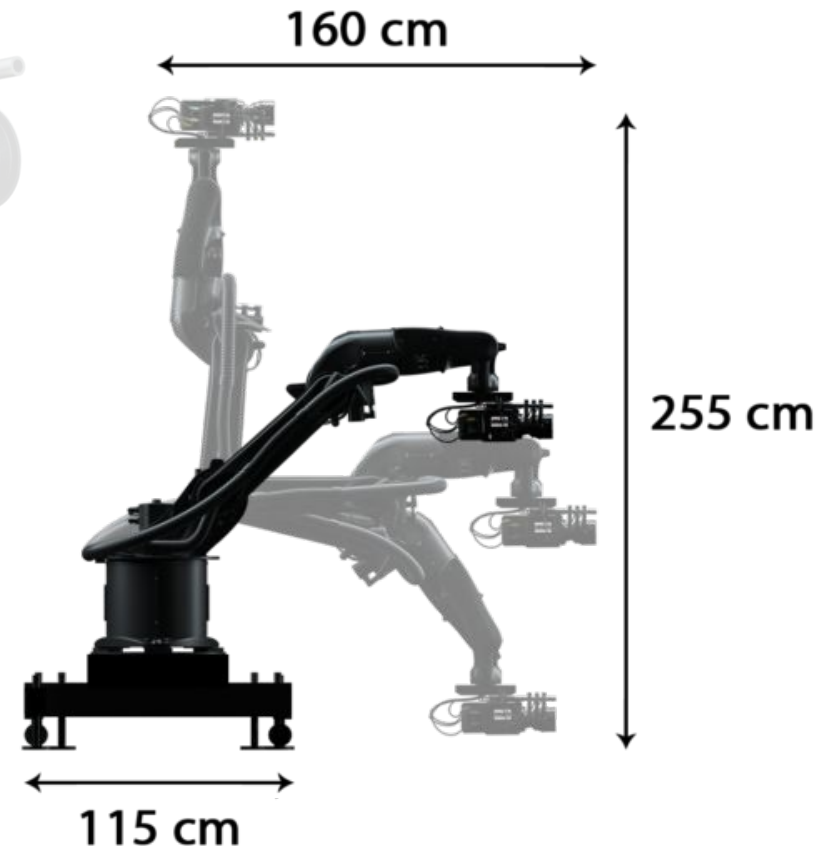
Installation ready to shoot : 20 min
 Simple move creation : 2 min
 Changing robot position on floor : 5 min



FAST SETUP



TOTAL SPAN



Dimensions

	METRICS	IMPERIAL
Reach	110 cm	43.5 inches
Max height	250 cm	98.5 inches
Min height	10 cm	2 inches
Floor embase	65 X 65cm	26 x 26 inches

Power supply

Standard outlet 220V

Weight

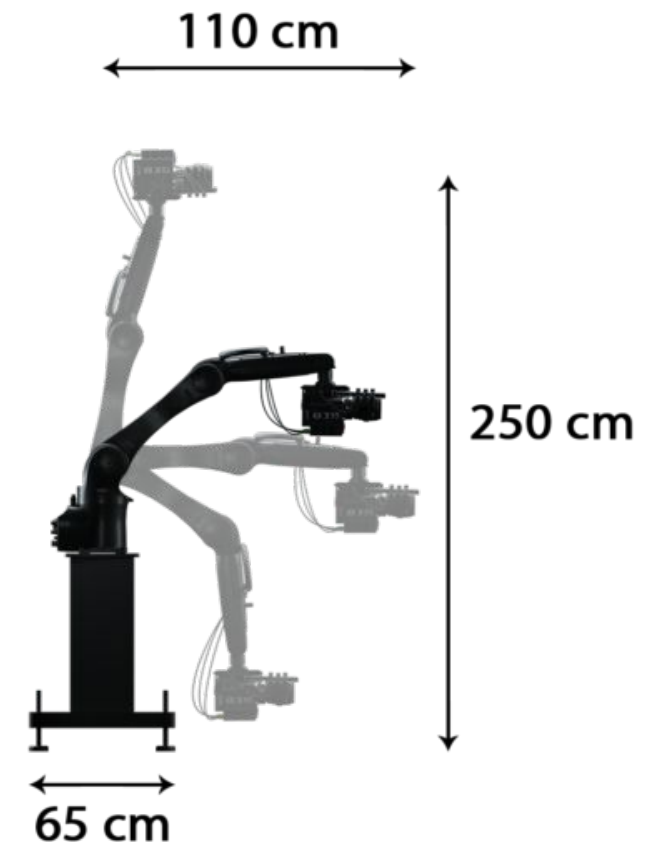
	METRICS	IMPERIAL
Carried weight	10 Kg max	20 Lbs max
Robot	390 Kg	860 Lbs
Ballast (side setup)	60 Kg	132 Lbs

Timing

Installation ready to shoot : 20 min
 Simple move creation : 2 min
 Changing robot position on floor : 5 min

Capacities

- Highspeed / Timelapse
- Repeatable
- +/- 0.01 mm precision
- Scale/time changing
- DMX triggering
- Indoor - outdoor
- Audio/video sync
- Unlimited moves
- Import/Export of 3D cameras
- Previs 3D
- Robotized follow Focus
- Speed : 3 m/s



STANDARD
OUTLET



COMPACT



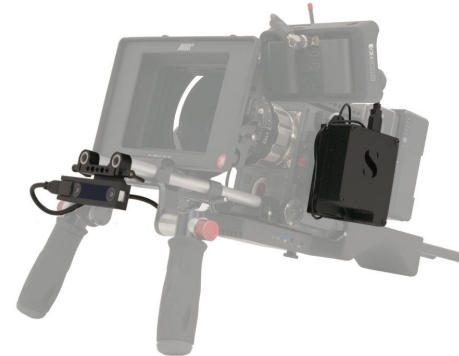
Phantom VEO 4K

- Framerates : 938 fps at 4096 x 2304
1000 fps at 4096 x 2160
1975 fps at 2048 x 1080
- PL or EF mount
- Super 35mm sensor
- 10Gbs output
- CF flash slot



Flynn markerless tracking system

- Live integration of 3D assets and virtual background
- Wireless
- Automatic calibration
- Ready to use



Lens - Zeiss CP2

- Lens range - Zeiss CP2 PL :
 - 15mm T2,9
 - 25mm T2,1
 - 35mm T1,5 Super Speed
 - 50mm T1,5 Super Speed
 - 85mm T1,5 Super Speed
 - 135mm T2,1 Super Speed
 - EF adaptive mount

